

# **AUTOMATIC**

## **STRAPPING MACHINE**

In this category, we offer general-purpose high-performance machines from economy model up to world-class innovative high-speed machines for narrow straps.

- Conventional machine
- Enhanced machine
- High-Speed world-class machine for narrow straps

**TAURIS TP-601D**

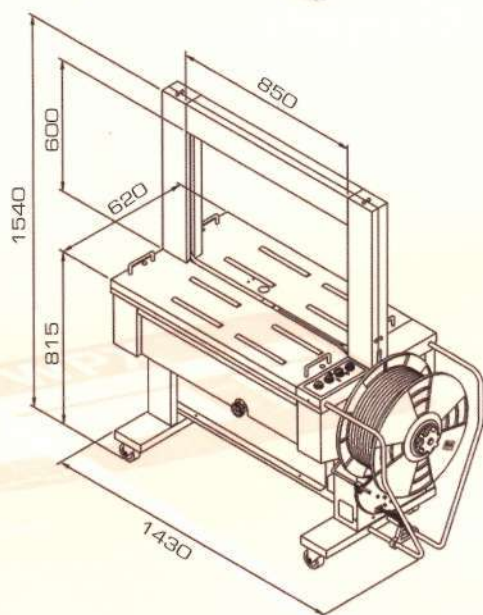
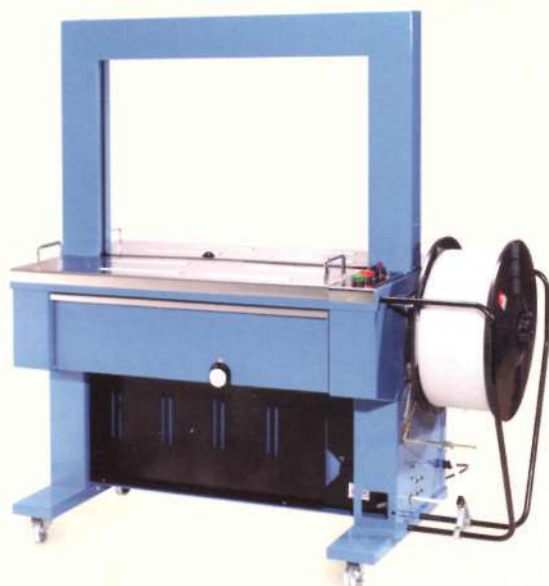


**DNV**



# Conventional Machine

An economy model



## TP-6000

### Main Features:

- ▶ Durable, reliable
- ▶ Easy operation, simple maintenance
- ▶ Easy and quick strap loading
- ▶ Mechanical outside tension control, tension can be easily set with a dial
- ▶ Rigid castors for easy movement between different locations
- ▶ Affordable for every budget, priced less than competing brands
- ▶ Proven quality with over 10,000 sets sold

### Arch Sizes:

H \ W	650	850	1050	1250
400				
600		Ⓢ		
800				
1000				
1200				

Ⓢ Standard size: 850 mm(W) x 600 mm(H)

- Larger arches on request

### Options

- ▶ Stainless steel frame SUS 304
- ▶ Short feed sensor

### TP-6000 TECHNICAL DATA

Strap Width: 8 mm-15.5 mm

Strap Tension: 10-70 kg

Speed: 27 straps/minute (60Hz)

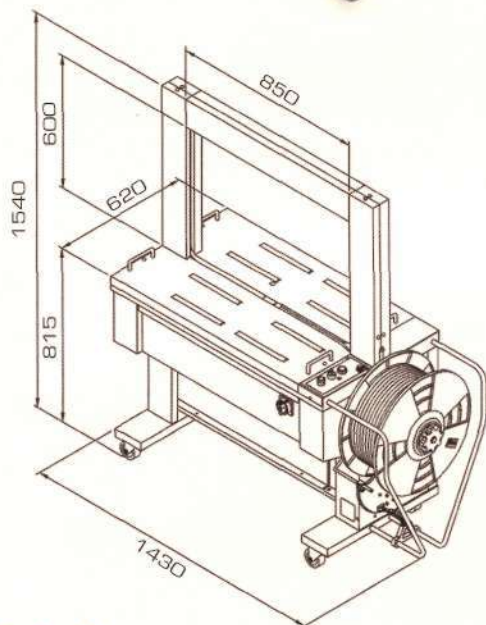
Net Weight: 220 kg

Power: 110V, 220V, 230V, 380V, 415V

50/60Hz 1PH or 3PH

# Enhanced Machine

The most powerful machine in its class



## Arch Sizes:

H \ W	650	850	1050	1250
400				
600		(S)		
800				
1000				
1200				

(S) Standard size: 850 mm(W) x 600 mm(H)

• Larger arches on request

## Options

- ▶ Stainless steel frame SUS 304
- ▶ TP-601L low-table model for heavy and bulky packages

# TAURIS TP-601D

## Main Enhancements:

### ▶ Auto Strap Feeding

Simply insert the strap into the feeding rollers from the coil side of the machine and then push the "reset" button.

### ▶ Electronic Tension Control

External adjustment of strap tension by the simple turn of a dial.

### ▶ Auto Strap Ejector

Loop-eject clears unwanted strap automatically, if the machine is accidentally strapped without a package.

## More Features:

### ▶ Short Feed Sensor

This sensor will detect whether the strap is at sealing position. If it is not, the start switch could not be activated.

### ▶ Auto Strap Refeed

The machine will automatically refeed itself if a mis-strap occurs.

### ▶ Strap End Ejector

End of strap sensor ejects end of coil out and prepares for next coil of strap.

## TP-601D TECHNICAL DATA

Strap Width: 8 mm-12 mm

Strap Tension: 7-70 kg

Speed: 29 straps/ minute (60Hz)

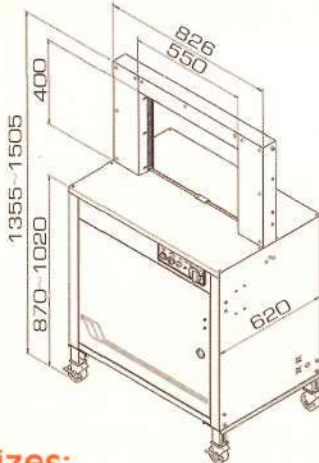
Net Weight: 220 kg

Power: 110V, 220V, 230V, 380V, 415V

50/60Hz 1PH or 3PH

# High-Speed Machine

A world-class model for narrow straps



# ATLANTIS TP-701

## Main Features:

### ▶ Compact Mechanical Control Head

The Atlantis uses latest multi DC brushless motor technology to provide the highest level of accuracy currently available in the strapping machine industry.

With 30% fewer parts than comparable strapping machines, Atlantis requires fewer adjustments, has fewer wear components, and requires less maintenance.

### ▶ Auto Strap Feeding

Simply insert the strap into the feeding rollers, hold up the lever, close the front door, push the start switch and the machine will automatically feed itself without access to the inside of the machine.

### ▶ Electronic Tension Control

External adjustment of strap tension by the simple turn of a dial (1-35 kg).

### ▶ Auto Strap Ejector

Loop-eject clears unwanted strap automatically if the machine is accidentally operated without a package.

### ▶ Adjustable Table Height

The table height is adjustable to any height between 870 mm and 1020 mm.

## Arch Sizes:

H \ W	550	650	850	1050	1250	1650
300		✓				
400	Ⓢ		✓			
500		✓	✓		✓	✓
600			✓			
800			✓	✓	✓	
1000				✓	✓	

Ⓢ Standard size: 550 mm(W) x 400 mm(H)

• Arch size available with mark V

## Options

- ▶ Press bar (TP-701P, arch sizes on request)
- ▶ Stainless steel frame SUS 304
- ▶ Photo-eye switch for cycle initiation
- ▶ Foot bar switch for cycle initiation

All specifications subject to change without notice.

## TP-701 TECHNICAL DATA

Strap Width: 5 mm, 6 mm, and 9 mm

Strap Tension: 1-35 kg

Speed: Up to 50 straps per minute

Adjustable Table Height: 870 mm-1020 mm

Net Weight: 150 kg

Power: 110V, 220V, 230V 50/60Hz 1PH

( See individual catalogue for more details of TP-701 and TP-701P)